



CONCEPTS
- ADDITION
- DORMER
- FLUE

CONCEPTS
3312 22ND STREET S
GREYMATTERS 25 SEPT 2021

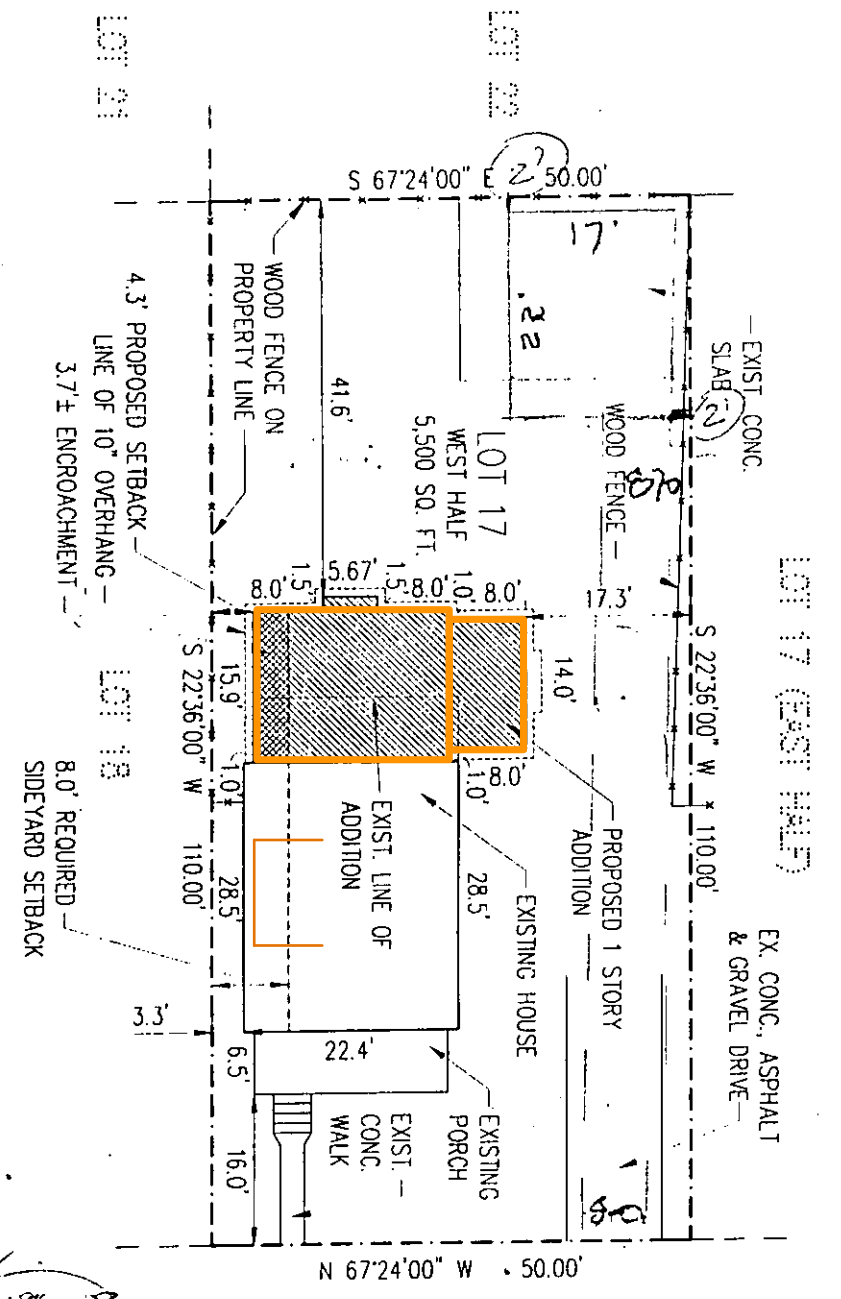


CONCEPTS
- ADDITION
- DORMER
- FLUE

CONCEPTS
3312 22ND STREET S
GREYMATTERS 25 SEPT 2021

AT SUBJECT TO
 RECORD
 IT INCLUDE
 CORNERS.

E PLAN



R-6
 House: 1016.02 +
 131.3 + 250 + 98 = 1,476.02
 dw = 680
 Garage = 374
 = 2,550.02
 5500 (47%)
 (under 4870 -> R-6)

1" = 20'

CONCEPTS
 - ADDITION
 - DORMER

DIAGRAM BASED ON PLAT
 BY OTHERS, RECEIVED 2021-0916

CONCEPTS
 3312 22ND STREET S
 GREYMATTERS 25 SEPT 2021