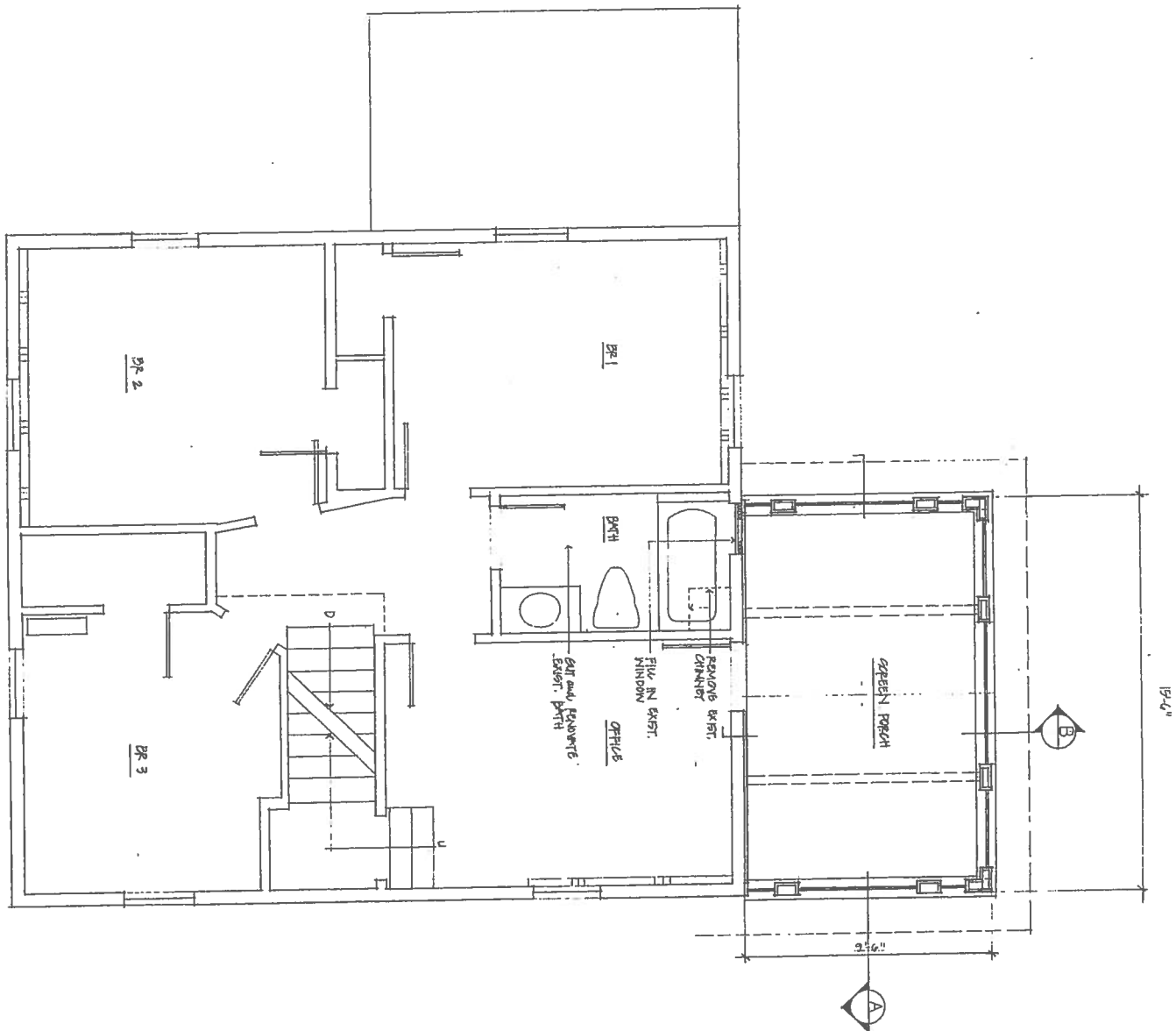
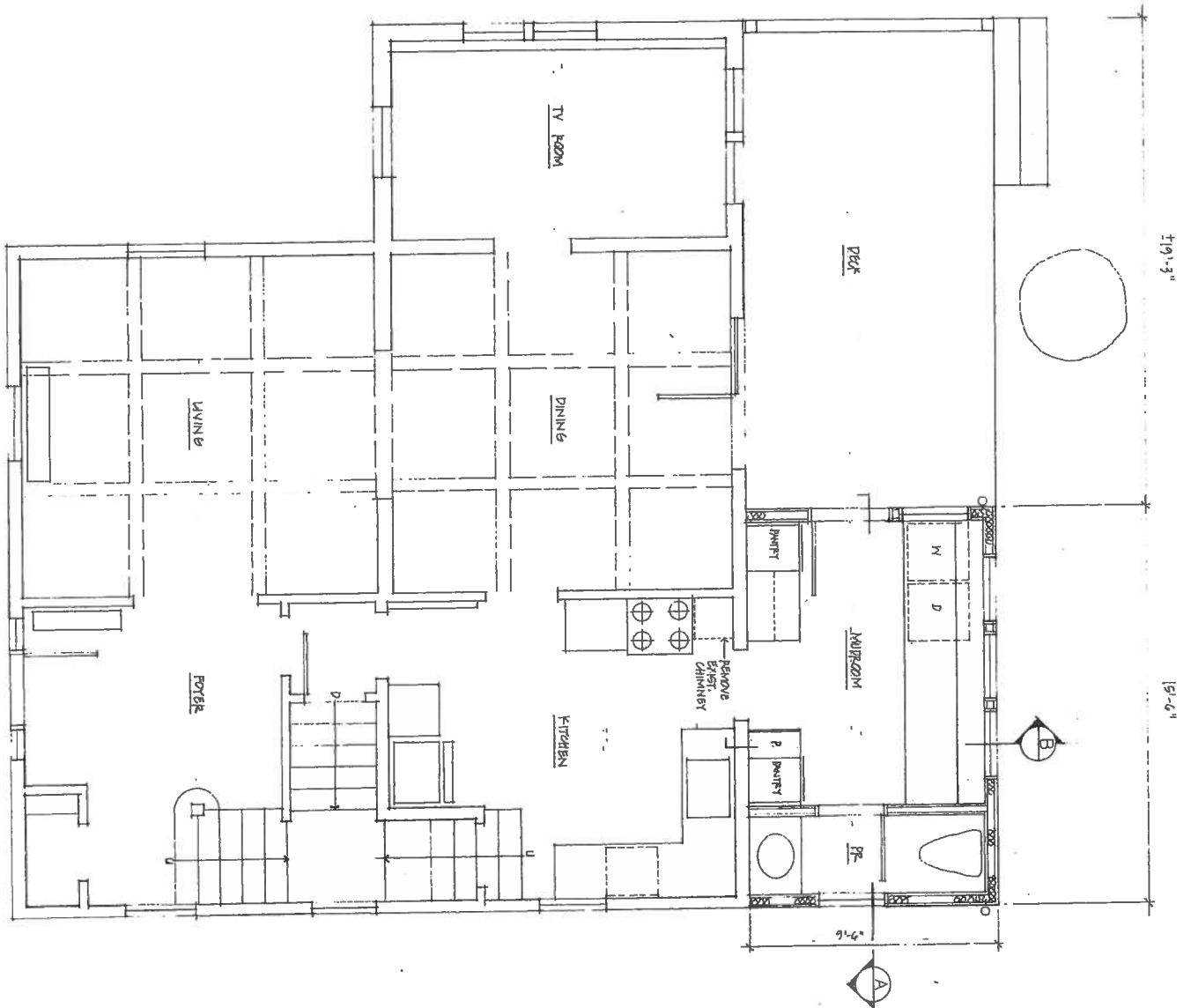
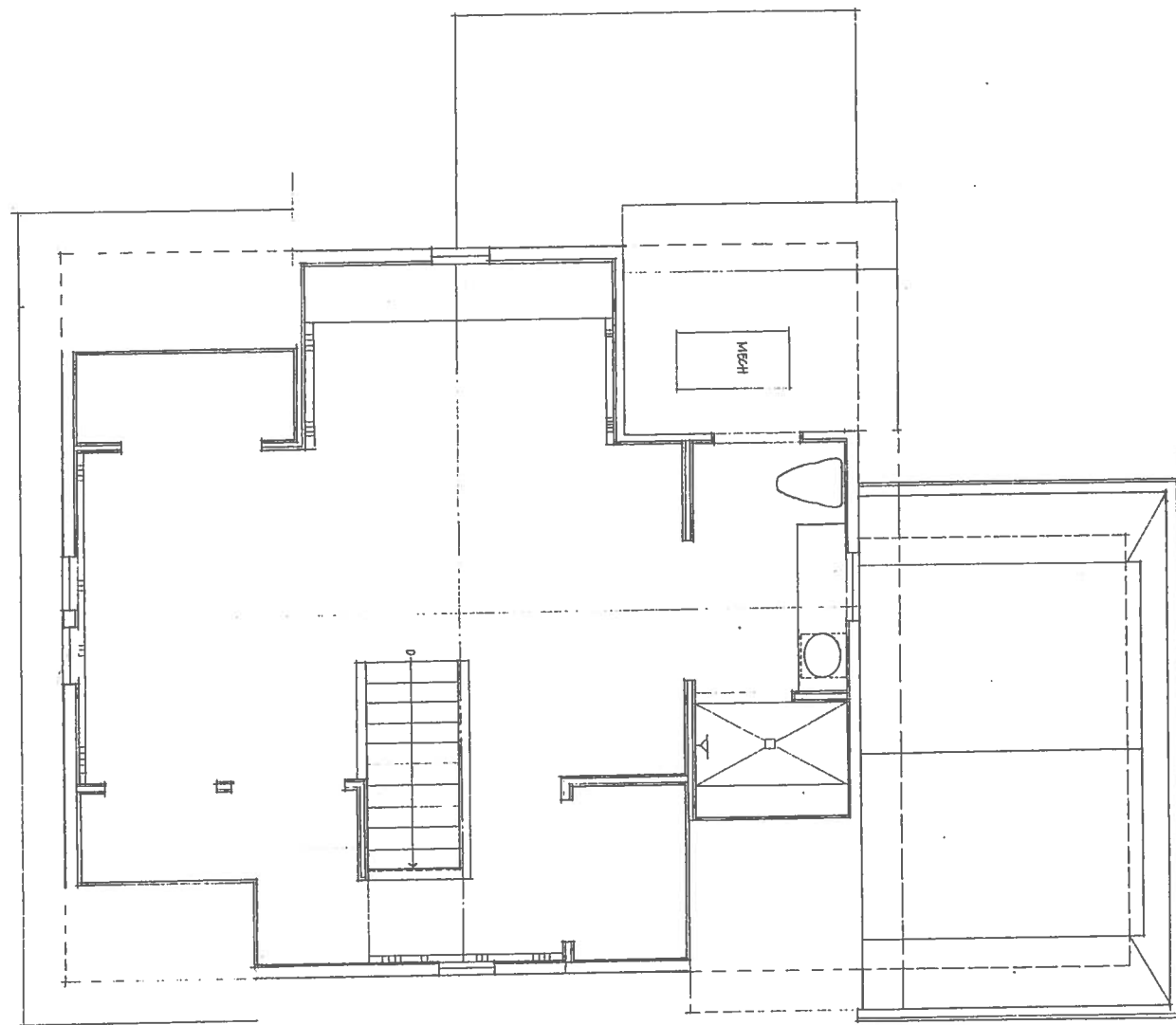
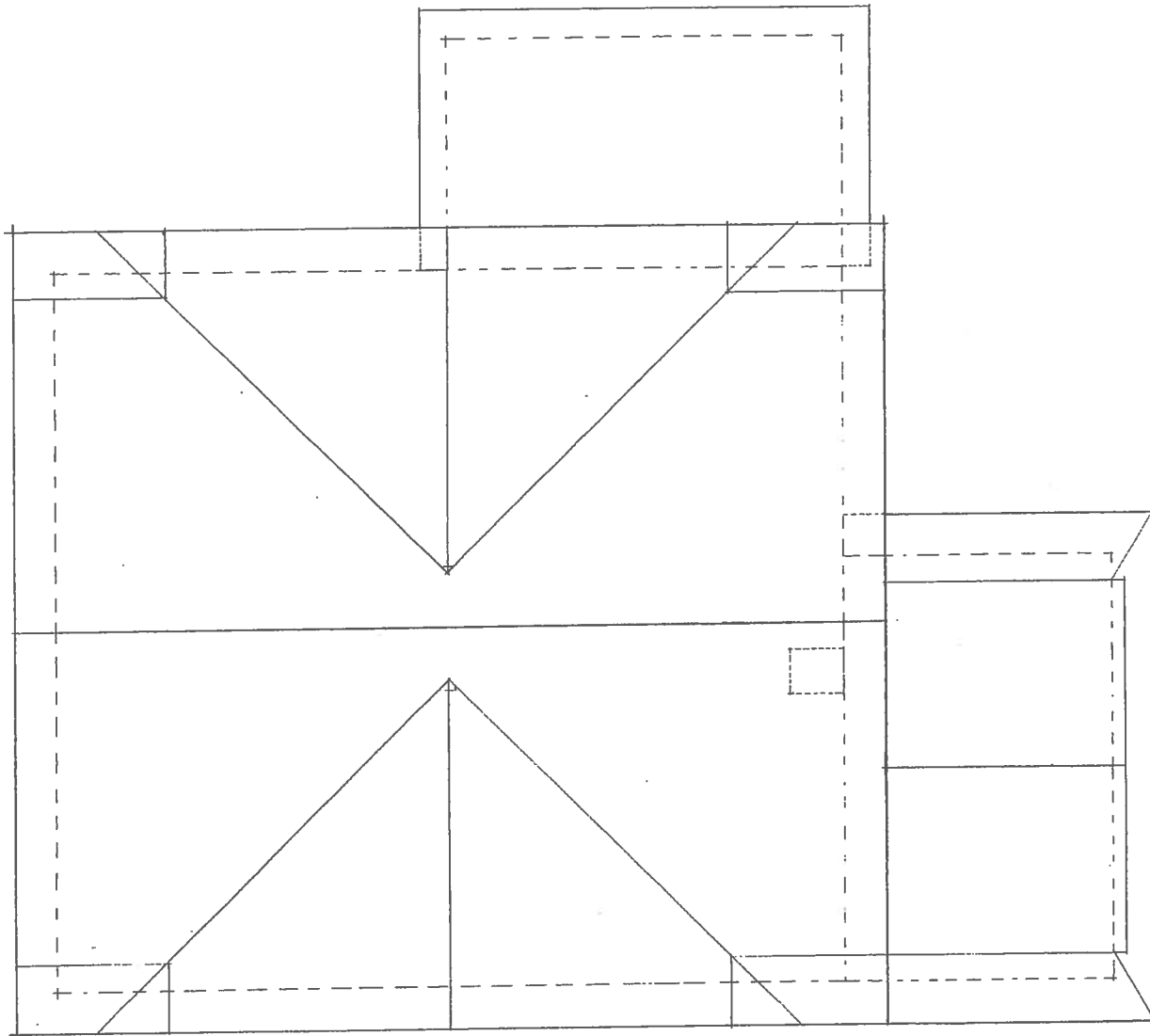


FIELD CHANGES TO EXTERIOR COMPONENTS OF APPROVED PLANS ARE NOT PERMITTED. FOR INFORMATION CALL 703-228-3830.



**FIELD CHANGES TO EXTERIOR COMPONENTS
OF APPROVED PLANS ARE NOT PERMITTED.
FOR INFORMATION CALL 703-228-3830.**



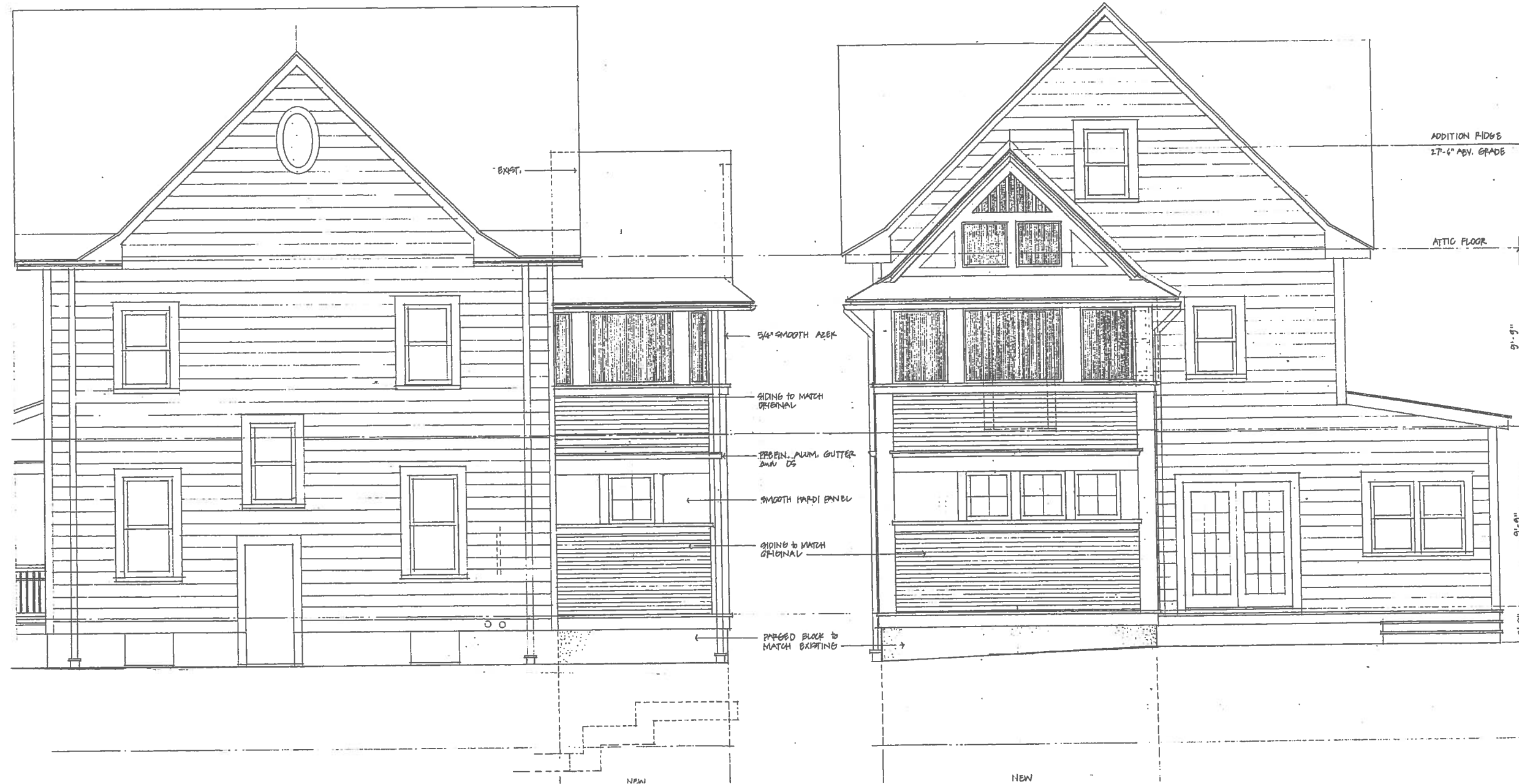
3	RICKARD BRIDEAU ADDITION 3210 23 rd Street North Arlington, Virginia 22201	ATTIC AND ROOF PLAN 1/4" = 1'-0" 	MURDOCH ARCHITECTS 9208 Shelton Street Bethesda, Maryland 20817 301-493-4941	5-18-14
---	--	---	---	---------

HALRB APPROVED

COA ISSUED ON JUNE 18, 2014

FIELD CHANGES TO EXTERIOR COMPONENTS
OF APPROVED PLANS ARE NOT PERMITTED.
FOR INFORMATION CALL 703-228-3830.

MURDOCH ARCHITECTS
9208 Shelton Street - Bethesda, Maryland 20817
301-493-4941



ADDITION FIDES
27'-6" ABV. GRADE

ATTIC FLOOR

9'-9"

9'-9"

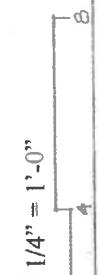
2'-0"

ELEVATIONS
1/4" = 1'-0"

RICKARD BRIDEAU ADDITION
3210 23rd Street North
Arlington, Virginia 22201



ELEVATIONS



ADDITION RIDGE
27'-6" ABV. GRADE

ATTIC FLOOR

9'-9"

9'-9"

2'-0"

RICKARD BRIDEAU ADDITION
3210 23rd Street North
Arlington, Virginia 22201

HALRB APPROVED

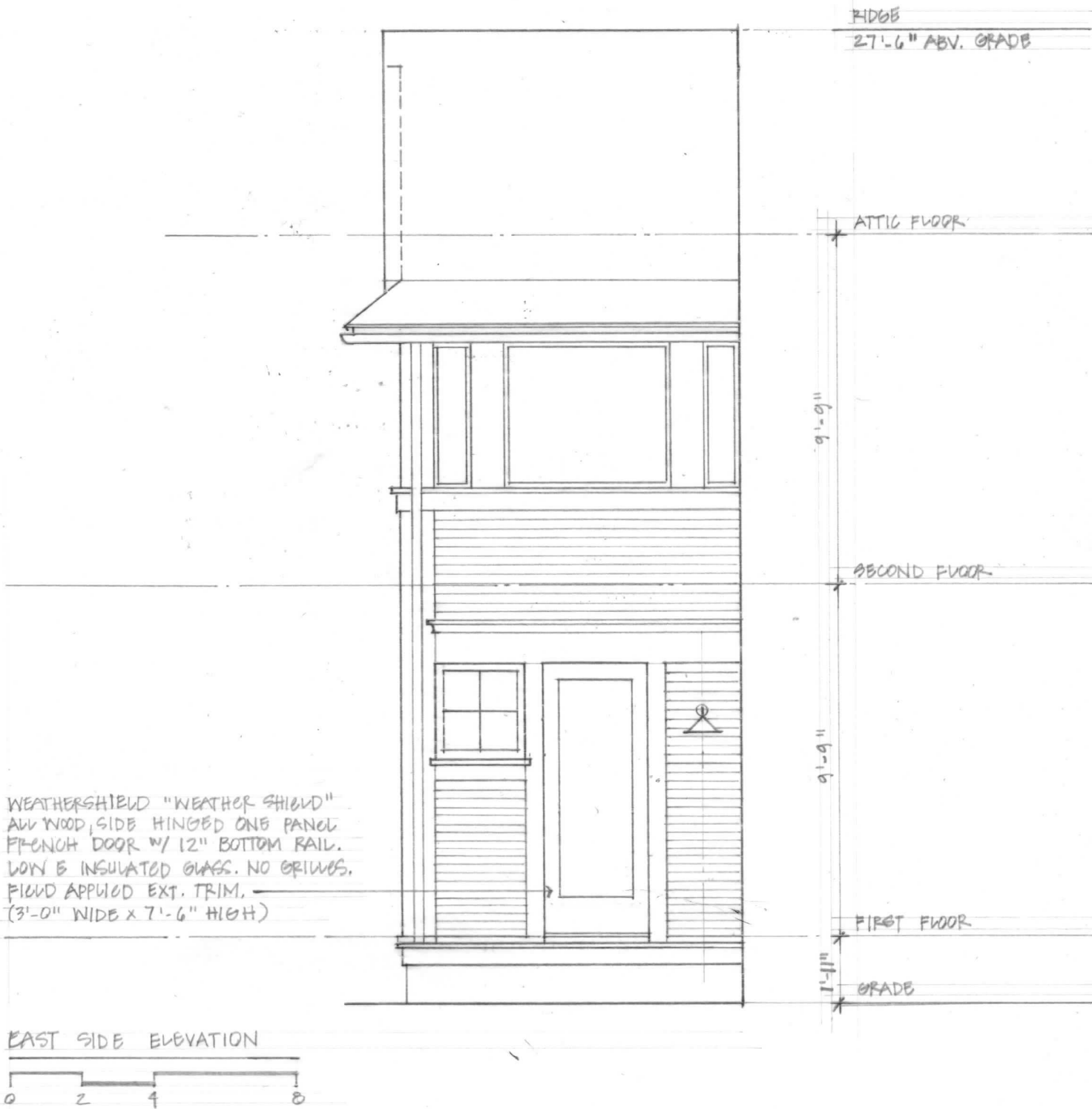
COA ISSUED ON JUNE 18, 2014

FIELD CHANGES TO EXTERIOR COMPONENTS
OF APPROVED PLANS ARE NOT PERMITTED.
FOR INFORMATION CALL 703-228-3830.

HALRB APPROVED

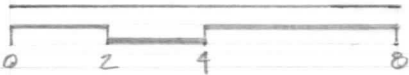
COA ISSUED ON JUNE 18, 2014

**FIELD CHANGES TO EXTERIOR COMPONENTS
OF APPROVED PLANS ARE NOT PERMITTED.
FOR INFORMATION CALL 703-228-3830.**



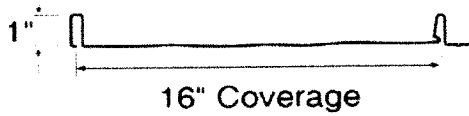
WEATHERSHIELD "WEATHER SHIELD"
ALL WOOD, SIDE HINGED ONE PANEL
FRENCH DOOR W/ 12" BOTTOM RAIL.
LOW E INSULATED GLASS. NO CRUIVES,
FIELD APPLIED EXT. TRIM.
(3'-0" WIDE x 7'-6" HIGH)

EAST SIDE ELEVATION



Material Specifications for 3210 23rd Street North-Brideau-Rickard Rear Addition

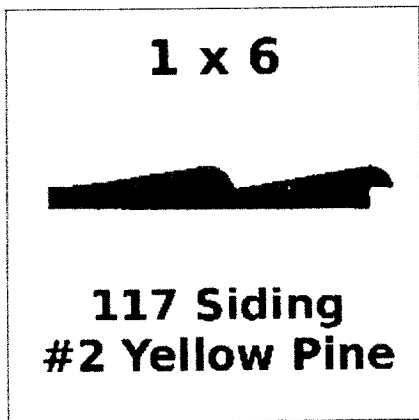
Standing Seam Metal Roof



Specifications

- 16" width coverage
- 1" high ribs
- Gauges: 26ga
- Finishes: Paint
- Warranty: Painted - 40 years,

Double Worked Yellow Pine Siding #117 (Smoot lumber WP-117)



This Lap siding is made out of C&Better graded Yellow Pine. It measures $\frac{3}{4}$ " thick by 5 $\frac{1}{2}$ " wide. Each 5" face has (2) 2 $\frac{1}{2}$ ". Prime all sides before installation with an exterior grade primer, then caulk and paint product after installation with an exterior grade product. This siding is to match the original house siding as closely as possible using stock material.

4" Pre Grooved Ipe Decking

Dark brown or reddish brown walnut color. Ipe wood decking has a fine to medium texture. Decking to be left unfinished and will weather to a light gray. Install with concealed deck fasteners. No railings required by code.



HALRB APPROVED

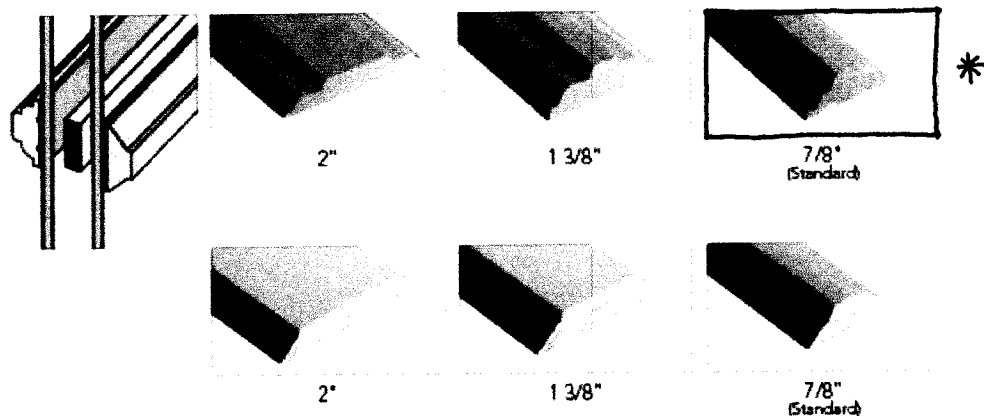
COA ISSUED ON JUNE 18, 2014

**FIELD CHANGES TO EXTERIOR COMPONENTS
OF APPROVED PLANS ARE NOT PERMITTED.
FOR INFORMATION CALL 703-228-3830.**

Weathersheild "Weather Shield" (6204) Series Casement windows

Units to be all wood, primed inside and out. Glazing to be low E insulated. Interior screens to have white frames. Hardware to be white. SDL 7/8" grills illustrated below.

Simulated Divided Lites (SDL) offer the authentic look of True Divided Lites without sacrificing energy efficiency. Interior and exterior bars are permanently adhered to the glass and a narrow spacer bar is positioned within the insulating glass airspace. Unlike True Divided Lites, SDL utilizes a single pane of insulating glass, decreasing the potential for energy loss. Exterior bars will be finished to match the exterior finish specified. Shown with optional Grille Between the Glass (GBG). Note: we are not planning to use the GBG.



All Exterior Trim to be AZEK

AZEK® Trim has precise sealed edges on all 4 sides (S4S) and is ideal for applications such as window and door trim on the exterior of your house. Long known for the unequalled combination of Uniformity, Durability, Workability, and Beauty, AZEK Trim has the proven performance and confidence of a building code report – ESR-1074.

Wide trim boards to be 5/4 x 12 or 3/4 x 12 as noted

Narrower trim boards to be 3/4 x 6

4" crown

Rake moulding AZM-287

Continuous historic sill (at windows) AZM-6930

Water table AZM-6935

Panels and Soffits

All panels to be James Hardie Panels. 5/16" thick, Smooth finish. Painted.

Soffits to be non-vented smooth soffit panel.

Gutters and downspouts

Seamless, Prefinished aluminum half round gutters and 4" round downspouts.

HALRB APPROVED

COA ISSUED ON JUNE 18, 2014

**FIELD CHANGES TO EXTERIOR COMPONENTS
OF APPROVED PLANS ARE NOT PERMITTED.
FOR INFORMATION CALL 703-228-3830.**



Weather Shield®

Premium Aluminum Clad Windows & Doors

WEATHER SHIELD - WOOD SIDE HINGED FRENCH DOOR 1-PANEL INSWING (HINGE CODE B) (8510)

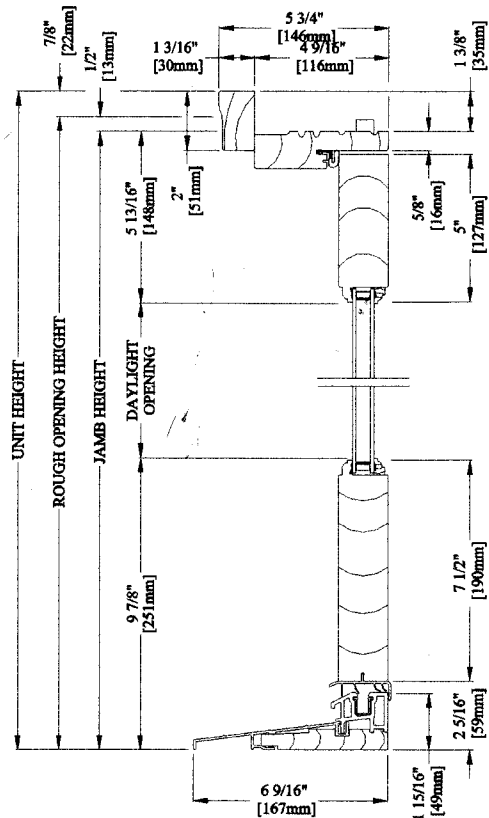
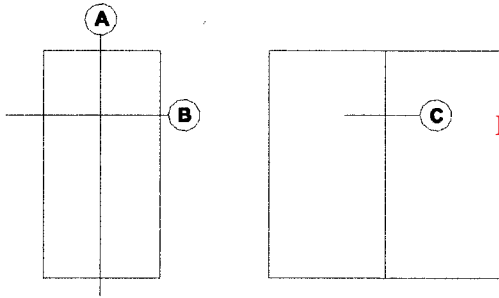
SCALE: ELECTRONIC FILE IS FULL SCALE
INTRODUCED 7/08
LAST UPDATED 6/21/12

- WEATHER SHIELD RESERVES THE RIGHT, AS NECESSARY, TO CHANGE PRODUCT SPECIFICATIONS AND MATERIALS WITHOUT NOTICE.
- DIMENSIONS MAY BE ROUNDED TO THE NEAREST 1/16" [2mm].
- FRENCH DOORS WITH THREE-POINT LOCK SYSTEM ARE MANUFACTURED WITH A SHOOTBOLT AND SHOOTBOLT GROMMET AT HEAD JAMB (SHOWN) WHICH PROTRUDES THROUGH HEAD JAMB INTO ROUGH OPENING APPROXIMATELY 7/16" [11mm].
- 7-1/2" [191mm] BOTTOM RAIL HEIGHT IS STANDARD ON ALL DOORS.
- 10" [254mm] AND 12" [305mm] BOTTOM RAIL HEIGHT IS AVAILABLE AS AN OPTION.
- 1-PANEL FRENCH DOORS ARE MANUFACTURED WITH A LATCHBOLT GROMMET AT LATCH SIDE JAMB WHICH PROTRUDES THROUGH JAMB INTO ROUGH OPENING APPROXIMATELY 3/8" [10mm].
- IMPORTANT: DIMENSIONS SHOWN ARE FOR STANDARD SHIM SPACE BETWEEN JAMB AND ROUGH OPENING. WHEN INSTALLING IN A JURISDICTION REQUIRING DESIGN PRESSURE (DP) RATED PERFORMANCE, WINDOW AND DOOR PRODUCTS MUST BE INSTALLED IN THE SAME METHOD THEY WERE INSTALLED FOR TESTING. A SHIM SPACE, NOT TO EXCEED 1/4" [6mm] IS REQUIRED AROUND THE SIDE JAMBS AND HEAD OF UNIT. REFER TO INSTALLATION INSTRUCTIONS FOR COMPLETE DETAILS.

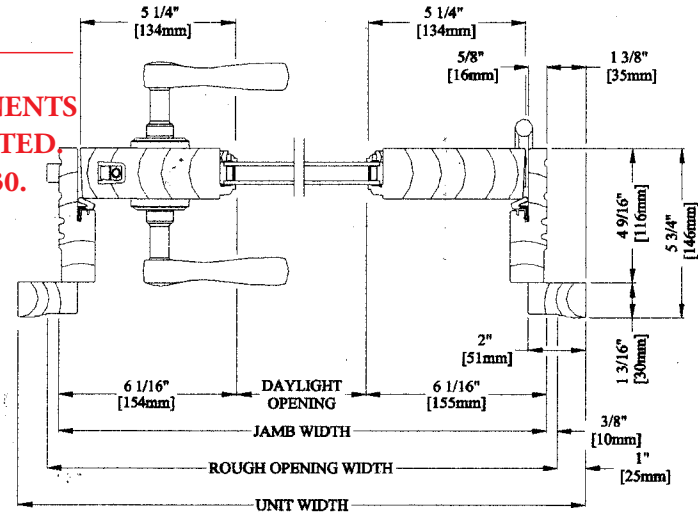
HALRB APPROVED

COA ISSUED ON JUNE 18, 2014

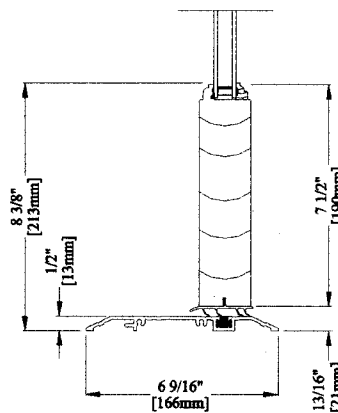
FIELD CHANGES TO EXTERIOR COMPONENTS OF APPROVED PLANS ARE NOT PERMITTED. FOR INFORMATION CALL 703-228-3830.



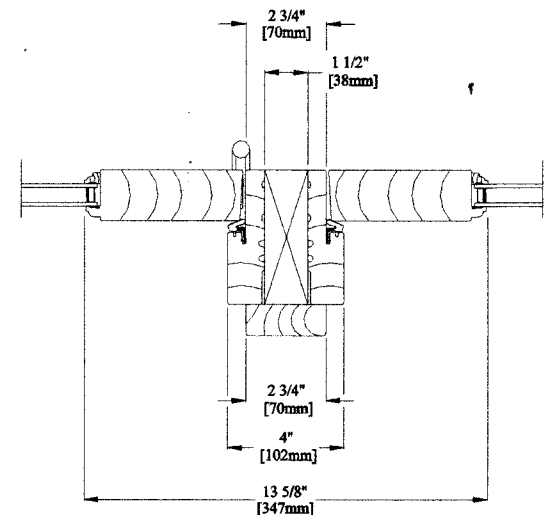
**A - VERTICAL SECTION
STANDARD SILL**



B - HORIZONTAL SECTION



**ALTERNATE SILL SECTION
ADA SILL**



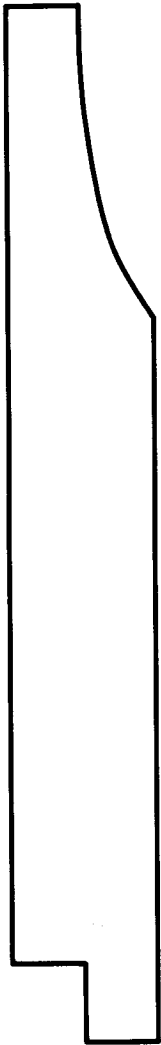
**C - VERTICAL 1-1/2" [38mm]
SPREAD MULL**

HALRB APPROVED

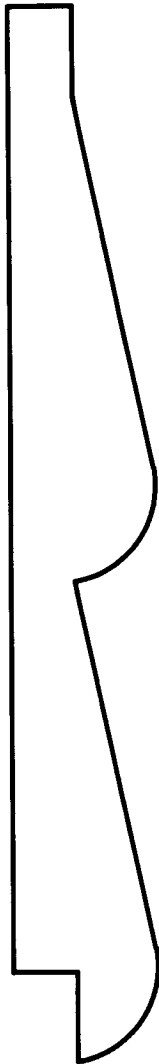
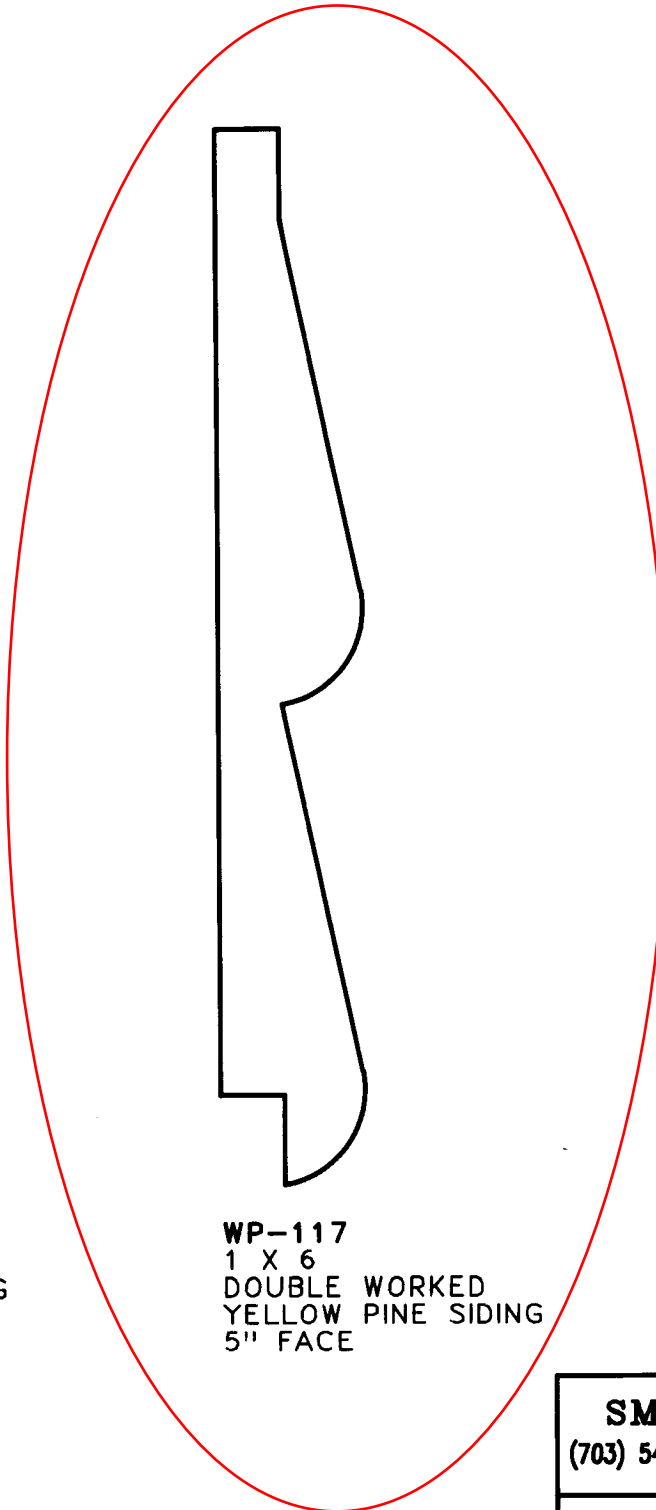
SIDING

COA ISSUED ON JUNE 18, 2014

**FIELD CHANGES TO EXTERIOR COMPONENTS
OF APPROVED PLANS ARE NOT PERMITTED.
FOR INFORMATION CALL 703-228-3830.**



WP-105
1 X 6
GERMAN SIDING
YELLOW PINE
5" FACE



WP-117
1 X 6
DOUBLE WORKED
YELLOW PINE SIDING
5" FACE



3/4 X 8
CLEAR CEDAR SIDING
6" EXPOSURE

EST 1858	
SMOOT LUMBER CO.	
(703) 549-0960	FAX (703) 836-4925
SCALE : ACTUAL SIZE	
PAGE NO. A-60	

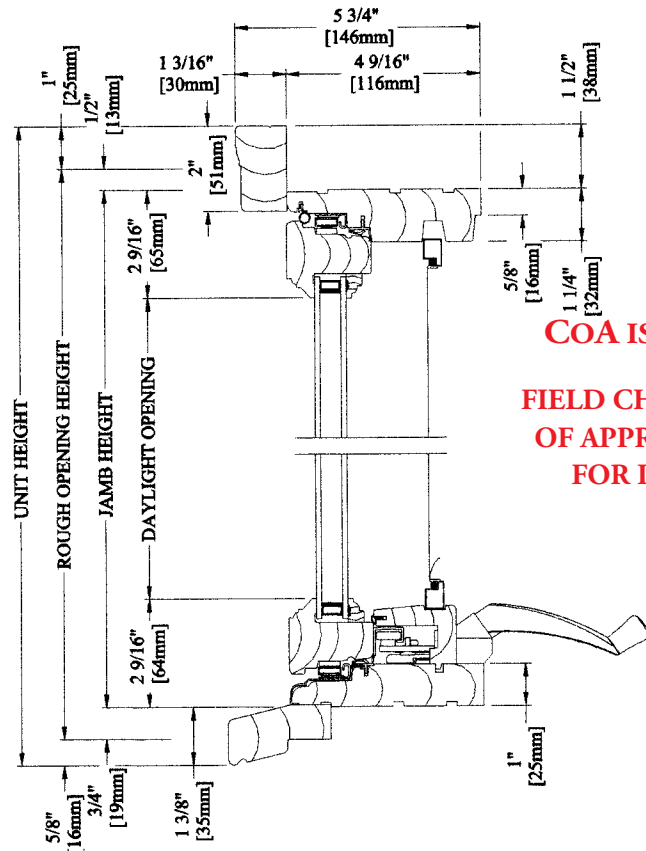
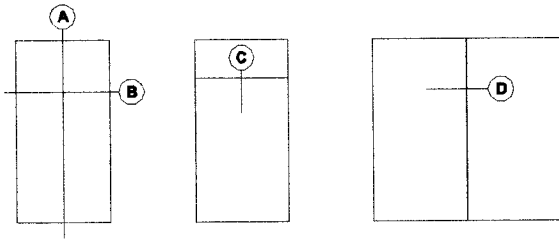


Weather Shield
Premium Wood Windows & Doors

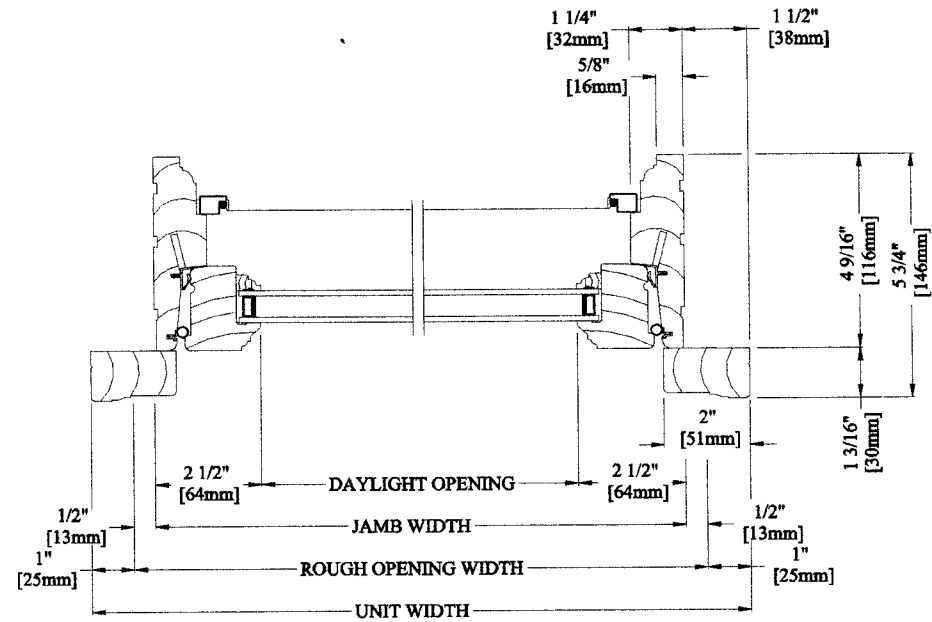
WEATHER SHIELD WOOD CASEMENT WITH COLONIAL SASH
AND COLONIAL GLAZING BEAD (6204)

PRODUCT SPECIFICATIONS AND MATERIALS WITHOUT NOTICE.
• DIMENSIONS MAY BE ROUNDED TO THE NEAREST 1/16" [2mm].
• IMPORTANT: DIMENSIONS SHOWN ARE FOR STANDARD SHIM SPACE BETWEEN JAMB AND ROUGH OPENING. WHEN INSTALLING IN A JURISDICTION REQUIRING DESIGN PRESSURE (DP) RATED PERFORMANCE, WINDOW AND DOOR PRODUCTS MUST BE INSTALLED IN THE SAME METHOD THEY WERE INSTALLED FOR TESTING. A SHIM SPACE, NOT TO EXCEED 1/4" [6mm] IS REQUIRED AROUND THE SIDE JAMBS AND HEAD OF UNITS. REFER TO INSTALLATION INSTRUCTIONS FOR COMPLETE DETAILS.
(a) 6204 CASEMENT TRANSOM STACKED ABOVE 6204 CASEMENT.

SCALE: ELECTRONIC FILE IS FULL SCALE
LAST UPDATE 6/1/11



A - VERTICAL SECTION

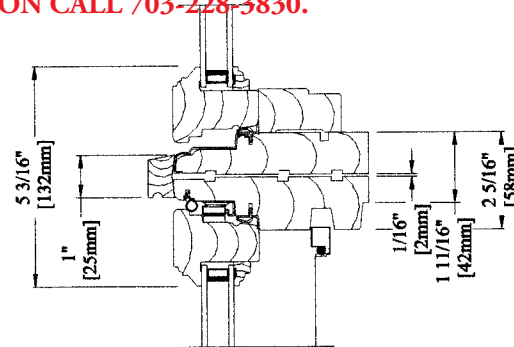


B - HORIZONTAL SECTION

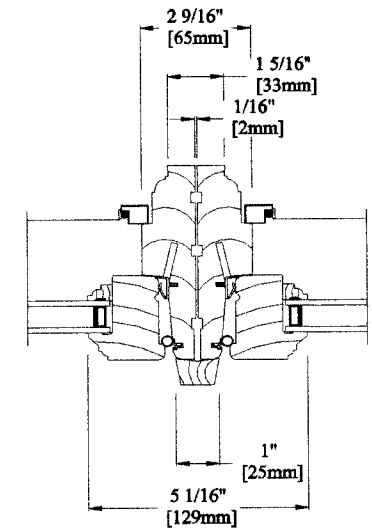
HALRB APPROVED

COA ISSUED ON JUNE 18, 2014

FIELD CHANGES TO EXTERIOR COMPONENTS
OF APPROVED PLANS ARE NOT PERMITTED.
FOR INFORMATION CALL 703-228-3830.



C - HORIZONTAL TIGHT STACK SECTION (a)



D - VERTICAL TIGHT MULL SECTION