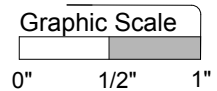


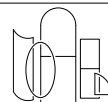
NOTE: INTERCHANGEABLE SCREEN AVAILABLE



PRODUCT  
 PROTECTIVE ALLIED ONE LITE • PAOL  
 REMOVABLE PANELS

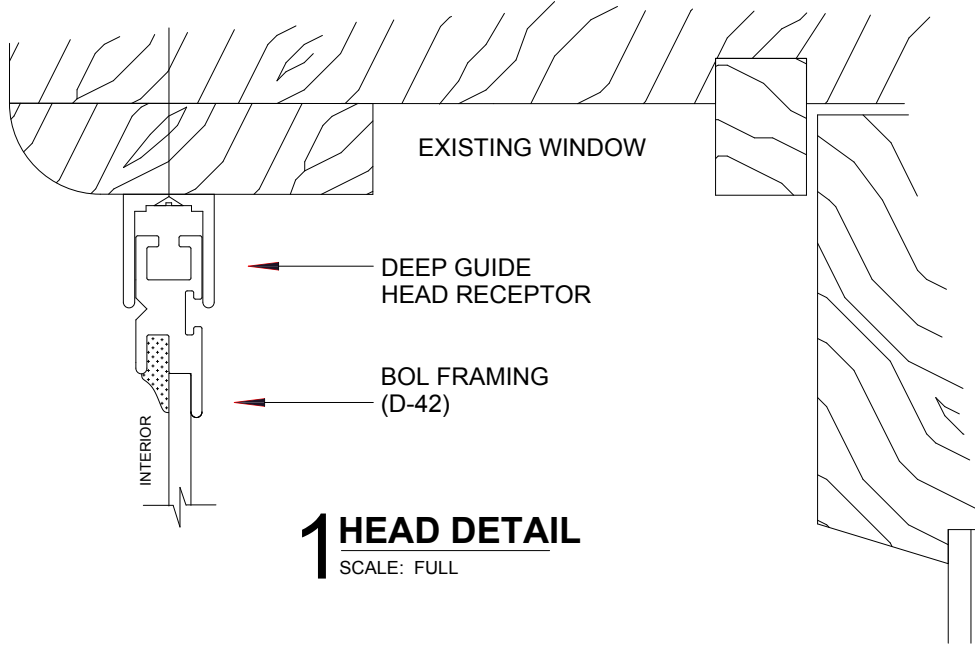
DWG. NO.

**A-10**

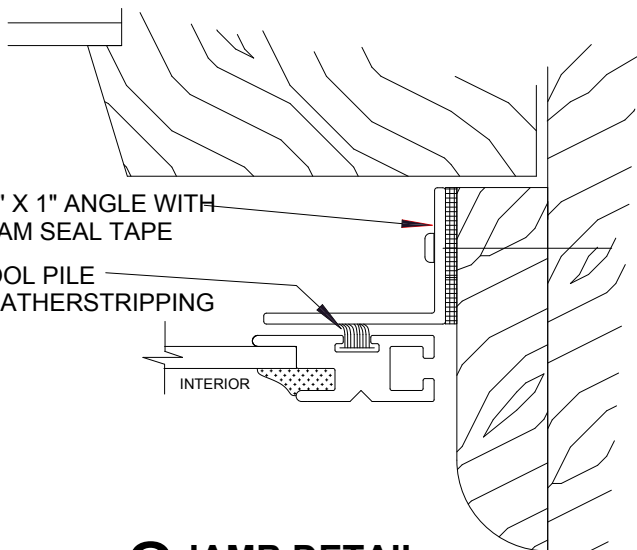


**Allied Window  
 Performance Panels™**

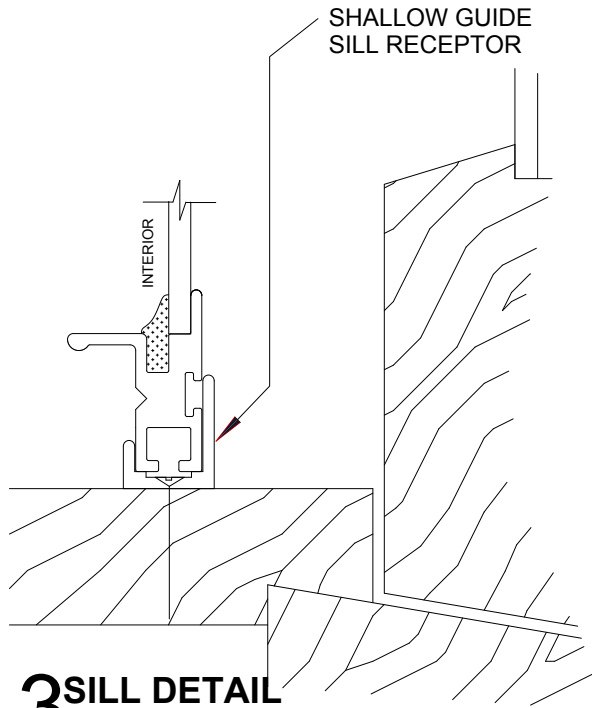
11111 CANAL ROAD • CINCINNATI, OH 45241 • PH: 800-445-5411, 513-559-1212 • FAX: 513-559-1883 • www.alliedwindow.com • info@alliedwindow.com



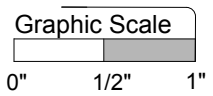
**1 HEAD DETAIL**  
SCALE: FULL



**2 JAMB DETAIL**  
SCALE: FULL



**3 SILL DETAIL**  
SCALE: FULL



NOTE: MAGNETIC SCREEN AVAILABLE

PRODUCT  
BANK ONE LITE • BOL

DWG. NO.  
**B-1**

**Allied Window**  
Performance Panels™