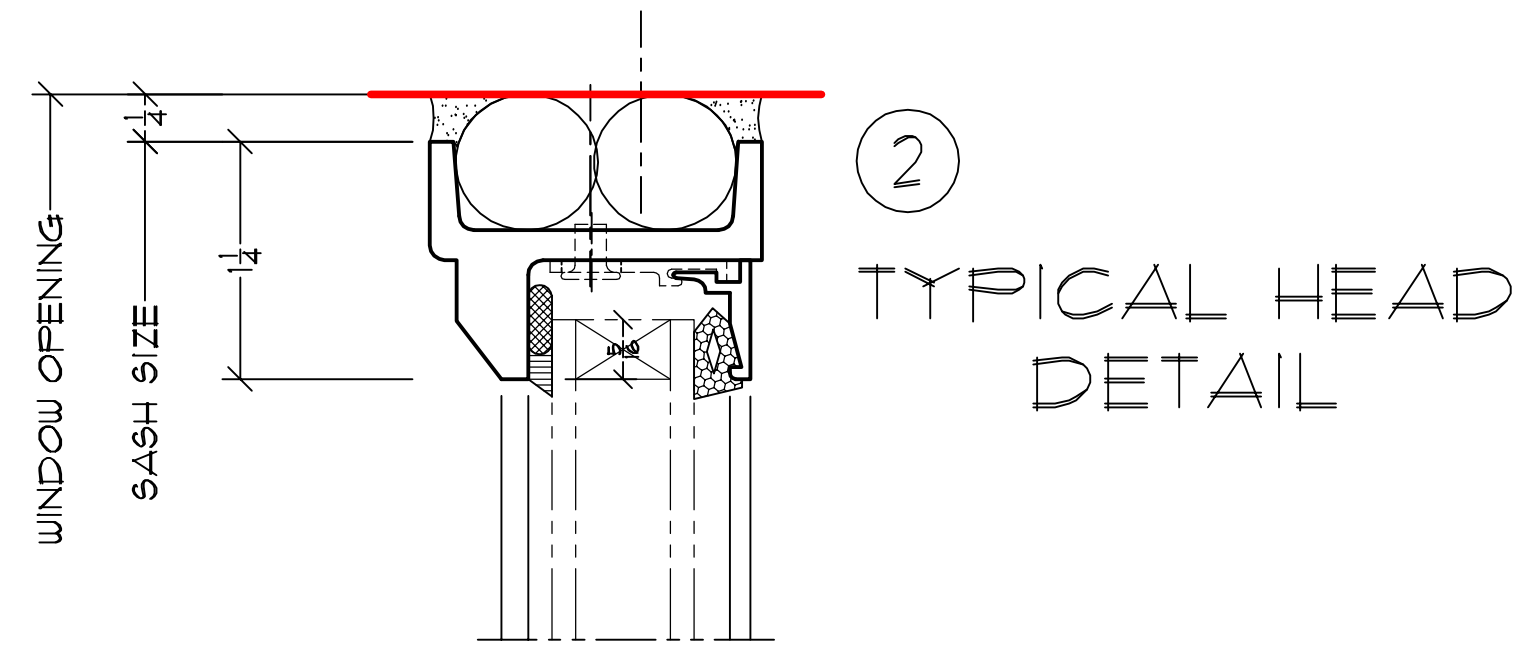
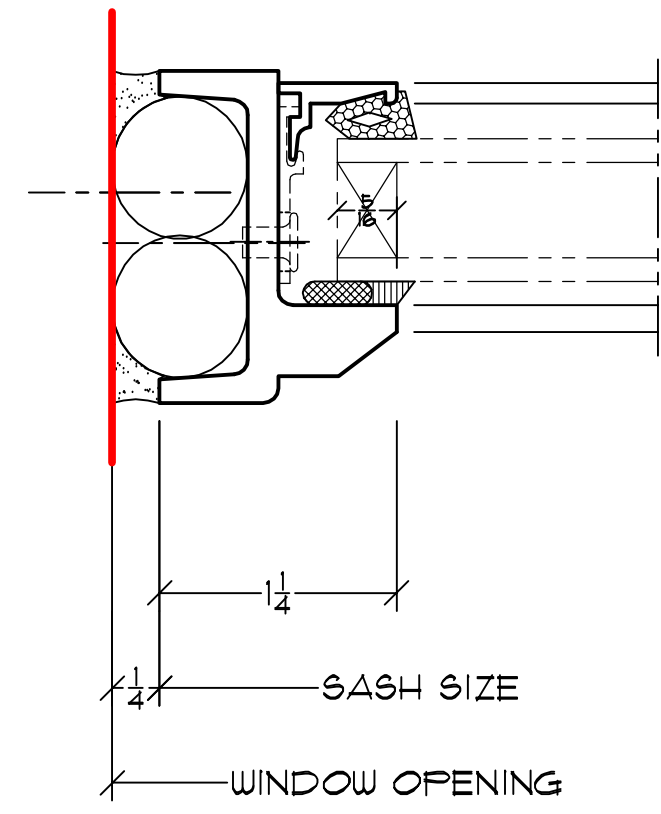
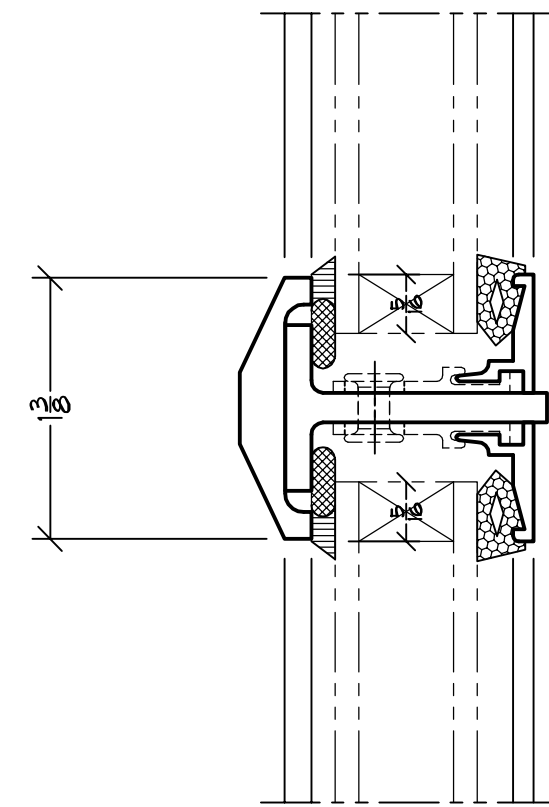


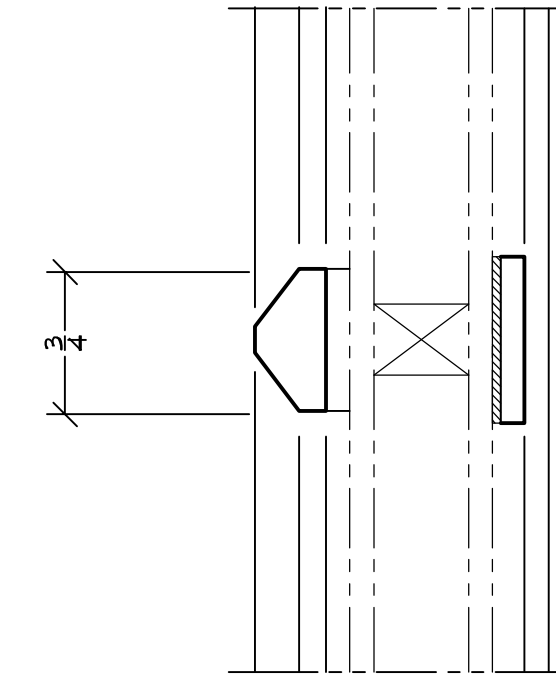
TYPICAL JAMB
DETAIL ①



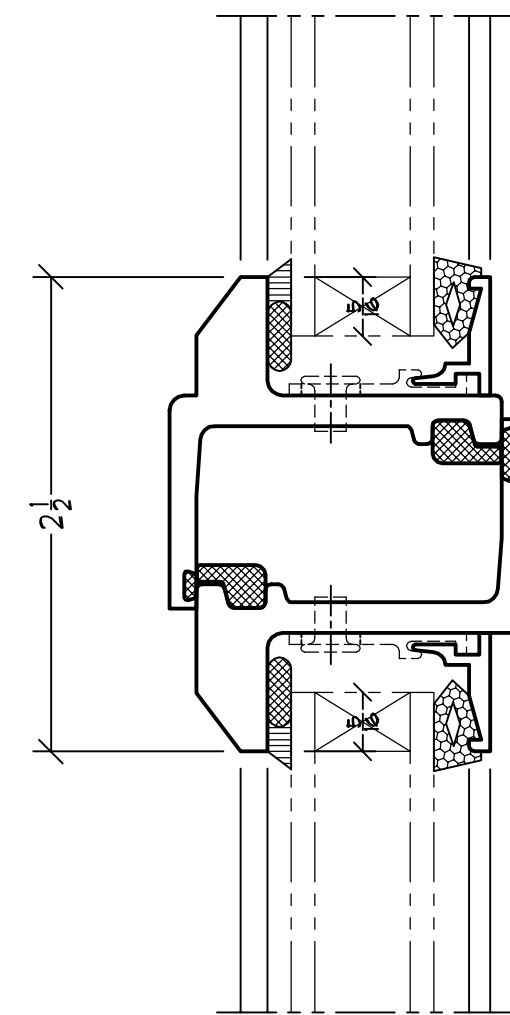
②
TYPICAL HEAD
DETAIL



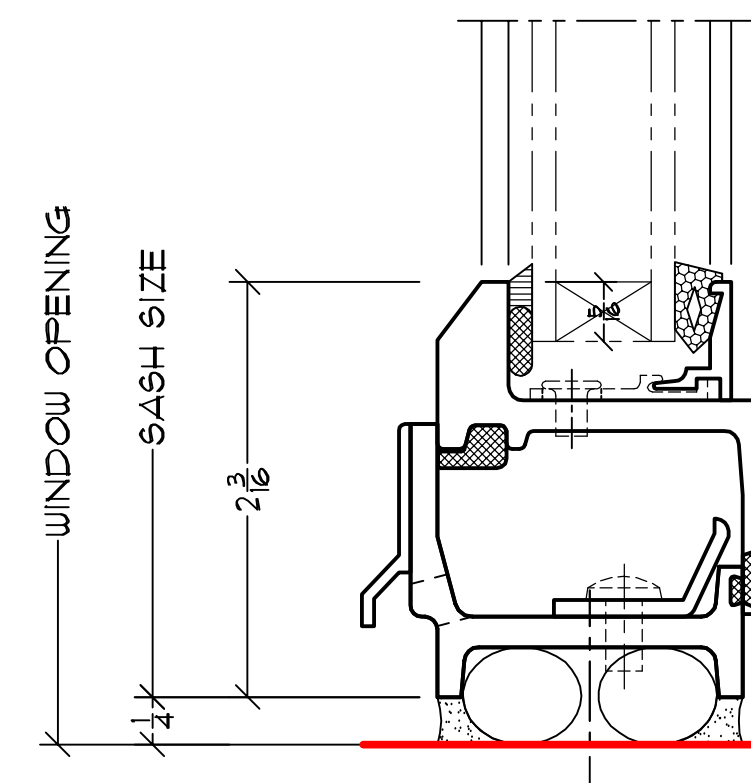
TRUE DIVIDED
LITE MUNTIN
OPTION
③a



SIMULATED
DIVIDED LITE
MUNTIN OPTION
③b



TYPICAL RAIL
DETAIL
④



⑤
TYPICAL SILL
DETAIL

PROJECT: Swanson Middle School Arlington, VA	
PREPARED FOR: TMG Construction	
PREPARED BY: HOPE'S® WINDOWS, INC. 84 Hopkins Ave. / Jamestown, New York 14701 Phone: (716) 665-5124 ~ Fax: (716) 665-6903	
DRAWN: _____ DATE: _____ SCALE: _____	HANDCRAFTED IN THE USA DETAIL SHEET <u> 1 </u>